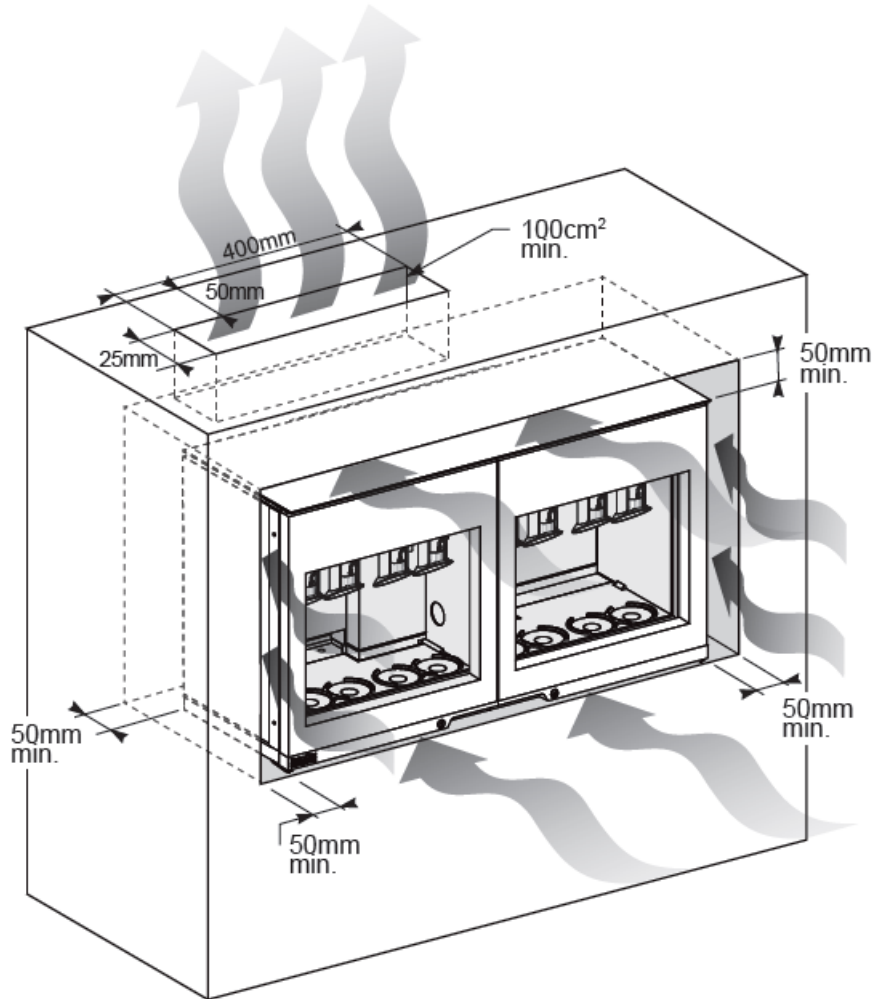


**Flush-fitting diagram**



**View from above**

