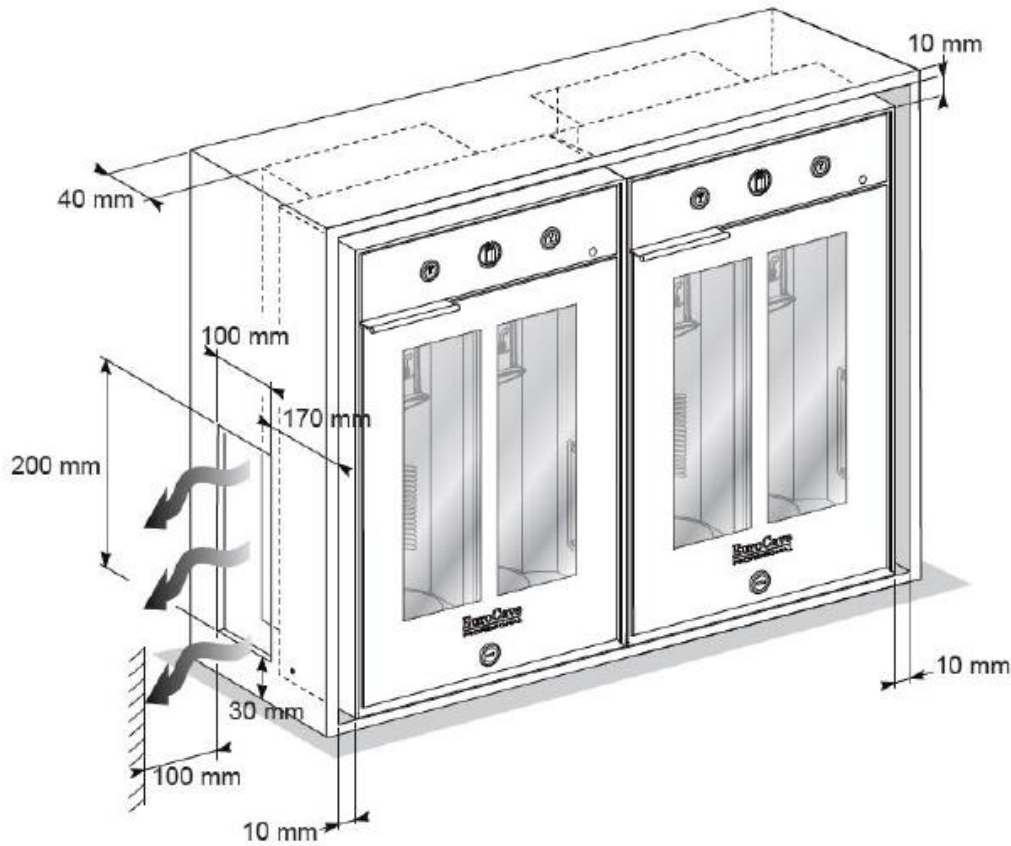


## Flush-fitting diagram for 2 WB 2.0 side by side



### Safety precautions when building-in a Wine Bar 2.0

- Leave 10 mm free around the product ; 40 mm at the rear
- In front of the air vents on each side of the Wine Bar, two openings (100x200mm) are necessary to ensure proper evacuation of air and ensure the proper functioning of the product.
- Ambient use temperatures: 18-28°C (64-82°F) in this configuration