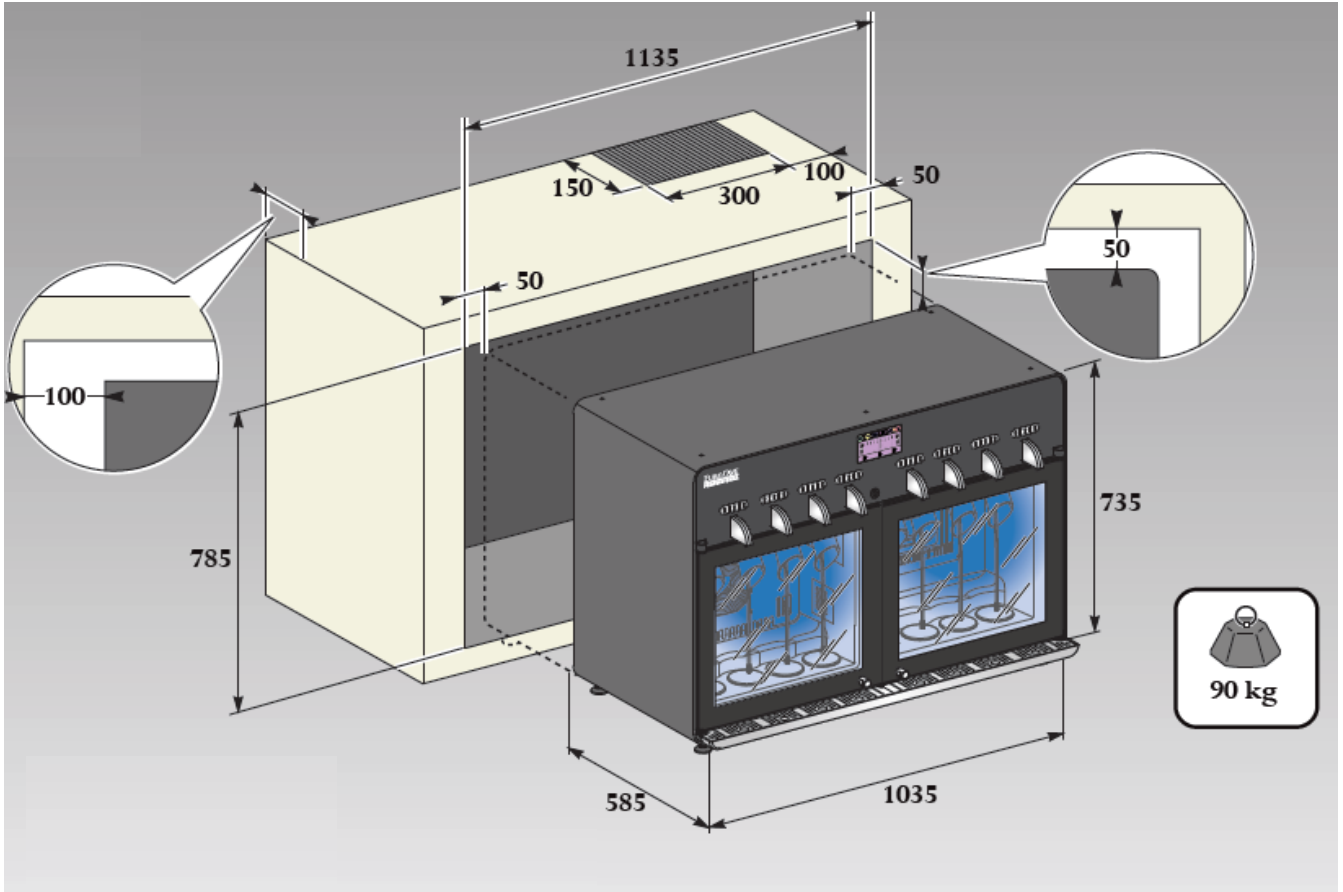


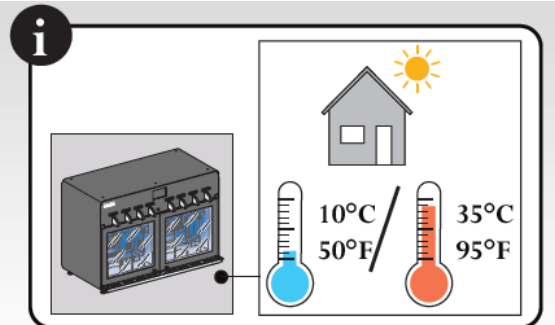
FLUSH-FITTING REQUIREMENTS



H x W x D = 735 x 1035 x 585 mm

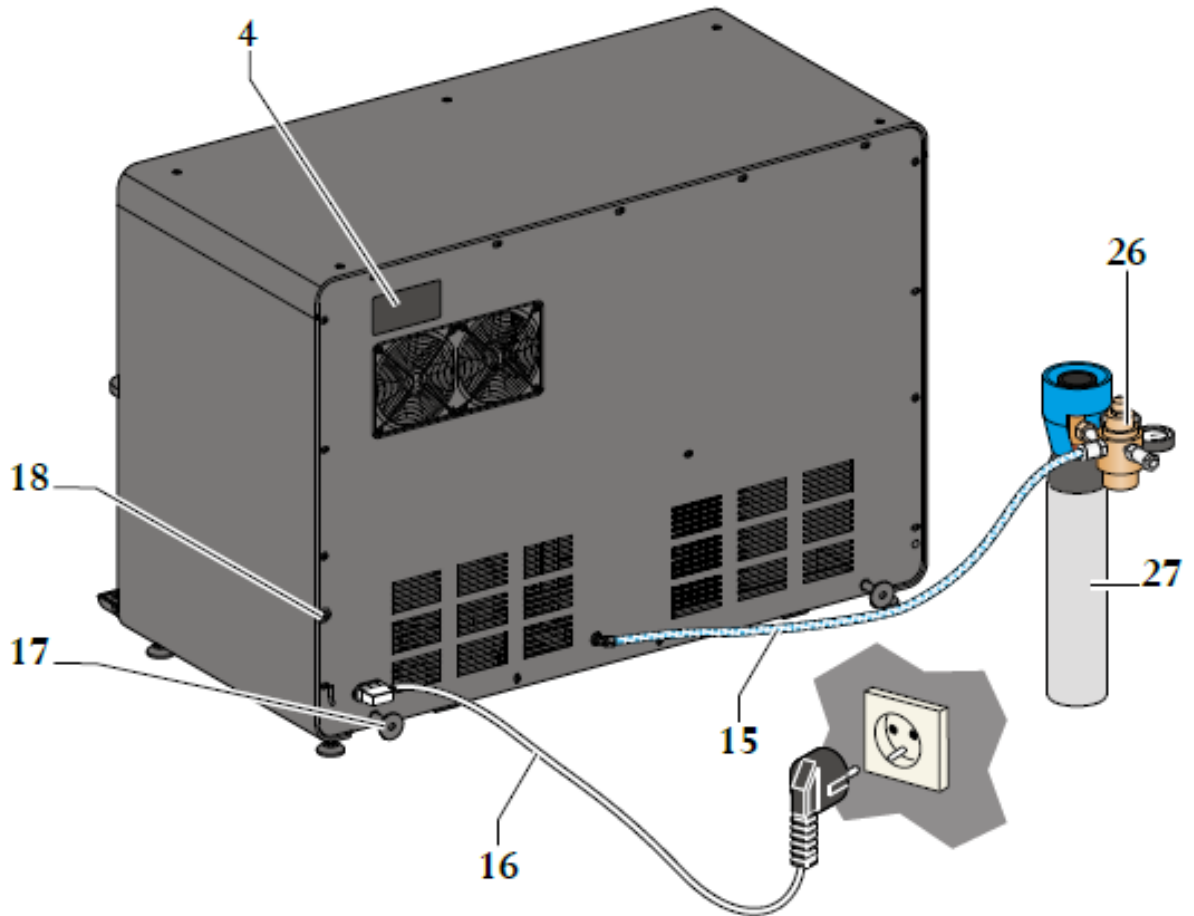
Dimensions include the rear stop - feet adjusted to the lowest

- Maintain 5 cm on each side of the product and above the product
- Plan a ventilation hole on the top of the product
The ventilation hole must be
 - ✓ On the top of the device
 - ✓ To the rear edge of the product
 - ✓ At 100 mm from the side edge



Plan a hole for the nitrogen cylinder connection tube

PRODUCT DESCRIPTION



- 4. 2 product identification labels with serial number
- 15. Nitrogen cylinder connection tube (3m)
- 16. Power lead (2m)
- 17. 2 rear stops
- 18. Outlet for cash desk connection
- 26. Pressure reducer
- 27. Nitrogen cylinder (not supplied)